

KOHLER®

66-1/8" x 32-1/2" freestanding bath w/ White exterior

Artifacts™

K-21000-W

Features

- Freestanding design creates a striking focal point in your bathing area.
- Integral lumbar support on both ends.
- Safeguard® slip-resistant surface on bath floor.
- Coordinates with Artifacts faucets and accessories.

Material

- KOHLER® enameled cast iron.
- Painted exterior in White.

Installation

- Freestanding.

Required Products/Accessories

K-204 ball-and-claw feet

K-7159 1-1/2" pop-up bath drain for freestanding baths

or

K-20027 bath base for freestanding bath

K-7159 1-1/2" pop-up bath drain for freestanding baths

Recommended Products/Accessories

K-23726 Drain treatment

K-23725 Cast iron cleaner



Codes/Standards

ASME A112.19.1/CSA B45.2

ASTM F462

KOHLER® Enameled Cast Iron Bath and Shower Base Lifetime Limited Warranty

See website for detailed warranty information.

Available Colors/Finishes

Color tiles intended for reference only.

Color	Code	Description
-------	------	-------------

	0	White
---	---	-------

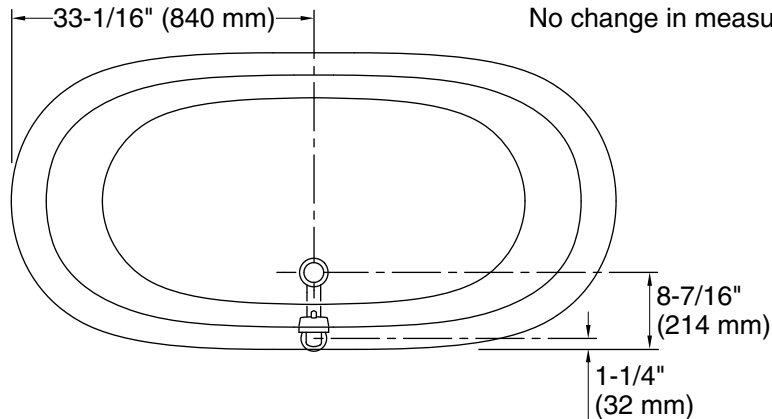
1-800-4KOHLER (1-800-456-4537)

Kohler Co. reserves the right to make revisions without notice to product specifications.

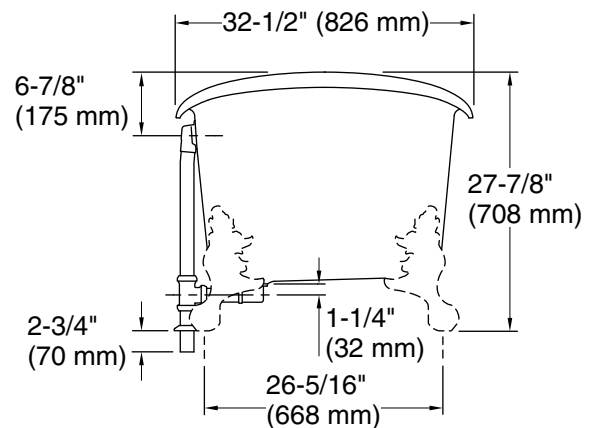
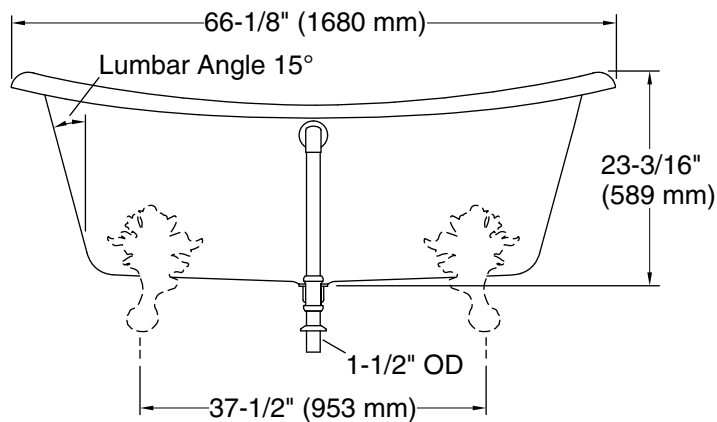
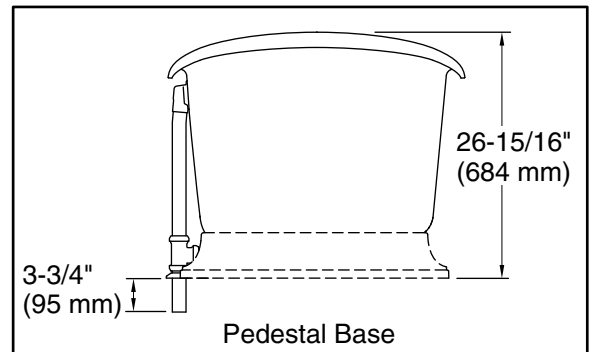
For the most current Specification Sheet, go to www.kohler.com.

5-29-2021 16:47 - US/CA

THE BOLD LOOK
OF **KOHLER®**



No change in measurements if connected with drain illustrated. (K-7159)



Technical Information

All product dimensions are nominal.

Installation:	Freestanding
Drain location:	Center rear
Basin area, bottom:	48-15/16" x 24-3/4" (1243 mm x 629 mm)
Basin area, top:	58-11/16" x 27-13/16" (1491 mm x 706 mm)
Weight:	396.2 lbs (179.7 kg)
Minimum floor load:	90 lbs/ft ² (439.4 kg/m ²)
Water depth:	14-3/8" (366 mm)
Water capacity:	90 gal (340.7 L)
Template:	Footprint, 1344921-7, required, not included

Notes

Measure your actual product for rough-in details.

Install this product according to the installation instructions.

The hot water supply should be 70% of the capacity of the bath or greater. Installations will vary.